



043-055-1351
Made From Minimum 50% Recycled Content



SGBPDC-14-267

DPH-Serie

High quality adjustable pedestals for all types of terraces





DPH-Series

Buzon Pedestal System

Founded in 1987, Buzon Pedestal International is the first and leading European manufacturer of adjustable pedestals for raised floorings and terraces, such as roof and landscape areas, water features, balconies, pool decks, walkways, showrooms, exhibition areas, ...etc.

Buzon DPH Pedestals offer uninterrupted adjustability, are 100% recyclable and are made from a co-polymer of recycled polypropylene materials. Buzon DPH Pedestals are designed to withstand loads of 650 to 1000 kg, depending on the height.

They can be easily adjusted in height, and compensate for a fall of 5% and beyond*, to create a level terrace in all directions, or a ramp for barrier-free access.

Height adjustment can be easily realised even with the load on top, and once the Buzon DPH Pedestals are set at the required height, their position can be fixed with proprietary locking keys.

Buzon is geared towards giving the designer or specifier not just a product that meets and exceeds the required specification, but provides also technical and on-site support.



1 Support head

The head, with diameter of 155 mm and surface area of 188 cm² can be fitted with various accessories to cater for different applications.

2 C2/C5 Couplers

The Buzon coupler is used to extend the height over 175 mm. Two integrated tabs on either side allow for mechanical fixation (cross-wire bracing), where needed.

3 Adjustment ring

The adjustment ring allows for easy fine-tuning of the height of the Pedestal even with a load placed on top with a load placed on top.

4 Base

Base diameter 200 mm, surface area 314 cm². The base can be simply positioned or fixed to any substrate where needed. The head, coupler and the base are equipped with a safety inter-locking system.

5 Slope corrector, 0-5%*

Patented and award winning slope compensation system, precisely adjustable in increments of 0.5%.

6 Locking keys

Lock pedestals at required height.

* for more than 5% or for applications such as ramps for barrier-free access, please contact the Buzon technical team.



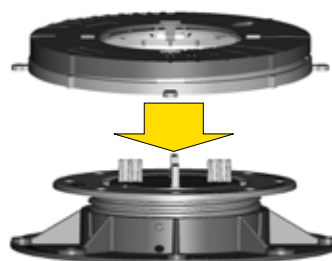
The slope corrector from 0 to 5 %*

Patented and award winning slope correction system, the Buzon PH5 slope corrector can compensate for slopes from 0 to 5%, adjustable in increments of 0.5%*. Setting the fall to a minimum of 2% is recommended for a good water run-off, and can now easily be specified.

For heights >44 mm,
PH5 slope corrector integrated in head of pedestal



For heights <44 mm,
PH5 slope corrector clicked on top of pedestal



0%

5%

5%

0%

* for more than 5% or ramp applications, please contact the Buzon technical team.

Applications



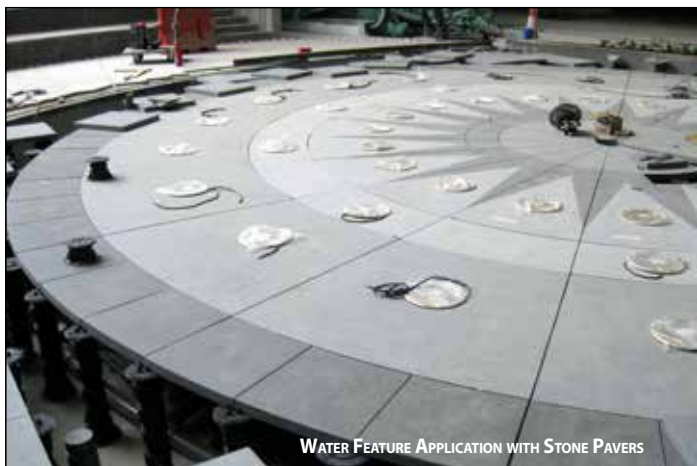
TERRACE APPLICATIONS WITH STONE PAVERS



POOLDECK APPLICATION TIMBER DECKING



SHOP FLOOR APPLICATION GLASS PANELS



WATER FEATURE APPLICATION WITH STONE PAVERS



Freedom of Design and Finishes

- pavers : natural stone, precast, etc.
- timber decking : natural or composite wood
- slates or panels
- glass or polycarbonate
- gratings : metal, aluminium, FRP
- ...

Wide Range of Applications

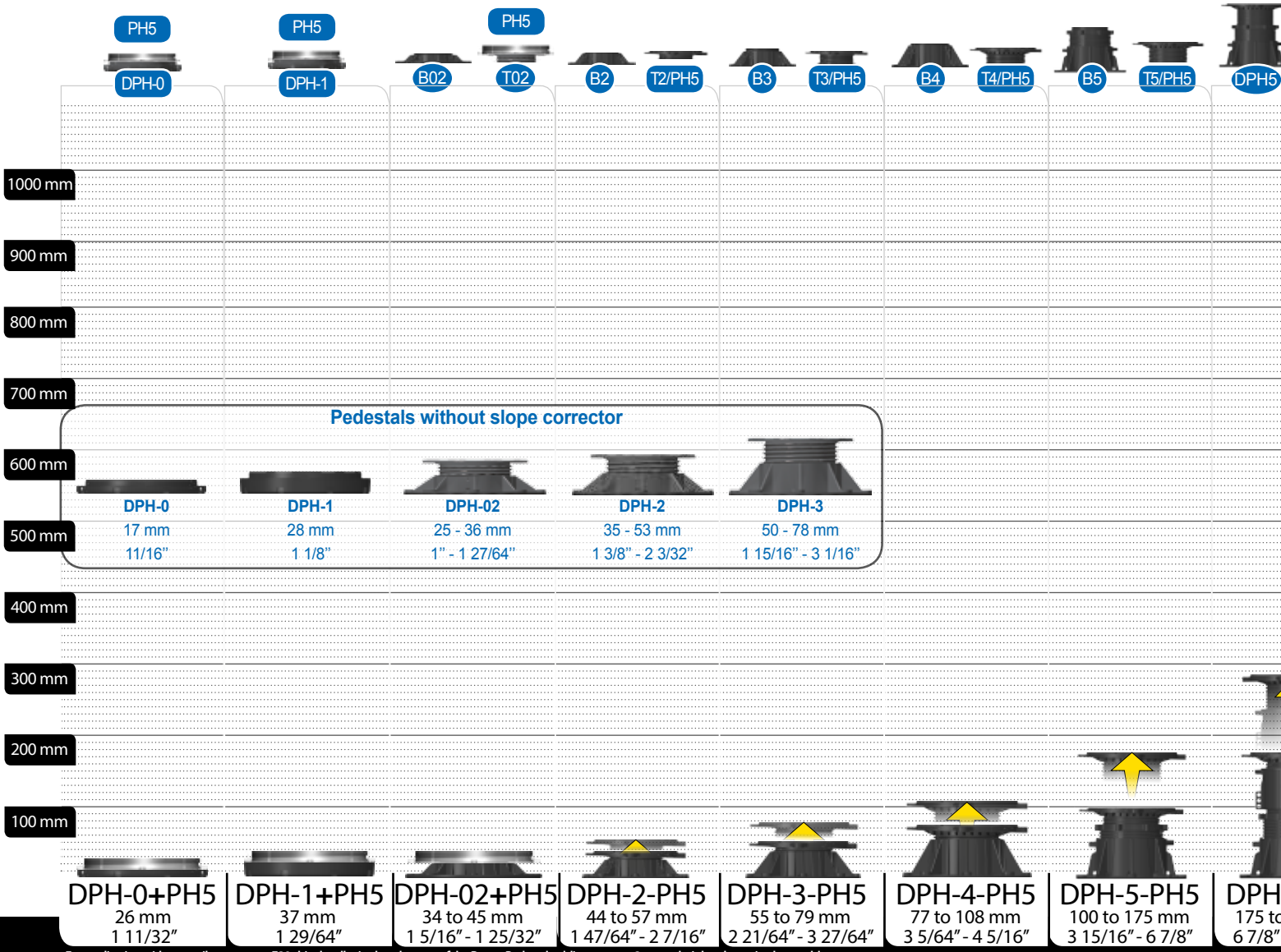
- terraces
- balconies
- pool decks
- water features
- landscape areas
- roofs
- interior flooring
- shop design
- ...

Buzon DPH-Series

Height adjustable starting from 34 mm (1 5/16")

Buzon Pedestals with PH5 Slope Corrector

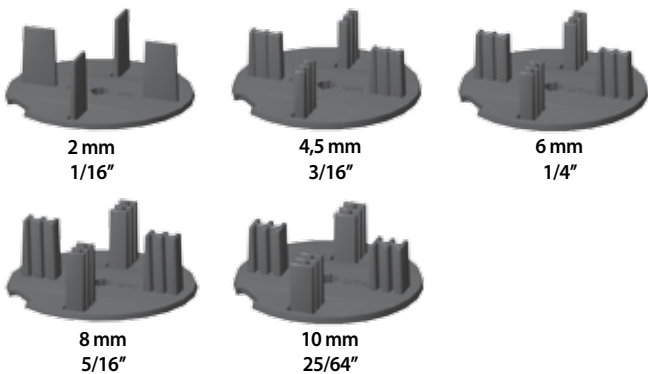
Buzon Pedestals with PH5 integrated in Head



For application with stone tiles or pavers, E20 shim leveller is placed on top of the Buzon Pedestal, adding an extra 2 mm to heights shown in above table.

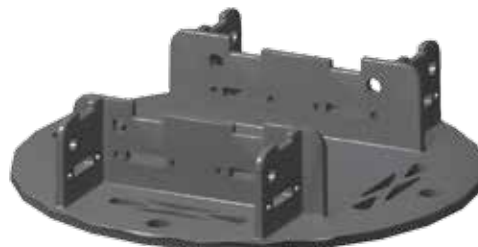
Spacer Tabs

The head can be fitted with spacer tabs, to create the desired opening between stone slabs or pavers.



Batten Holder

Batten Holder to support whatever structure where battens, runners or joists are used. Ex. timber or composite deckings, aluminium structures, etc. Allows use of battens up to 2 9/16" * width, with fixing holes on both sides for mechanical fixation and allows use of cross-battens.



* For width exceeding 2 9/16" please consult Buzon Technical Team.

Shims

1/16" mm shim is placed on each side with stone slabs or pavers. 1/32" mm shim is additionally used to compensate for minor differences between the stones or pavers used.





SGBPDC-14-267

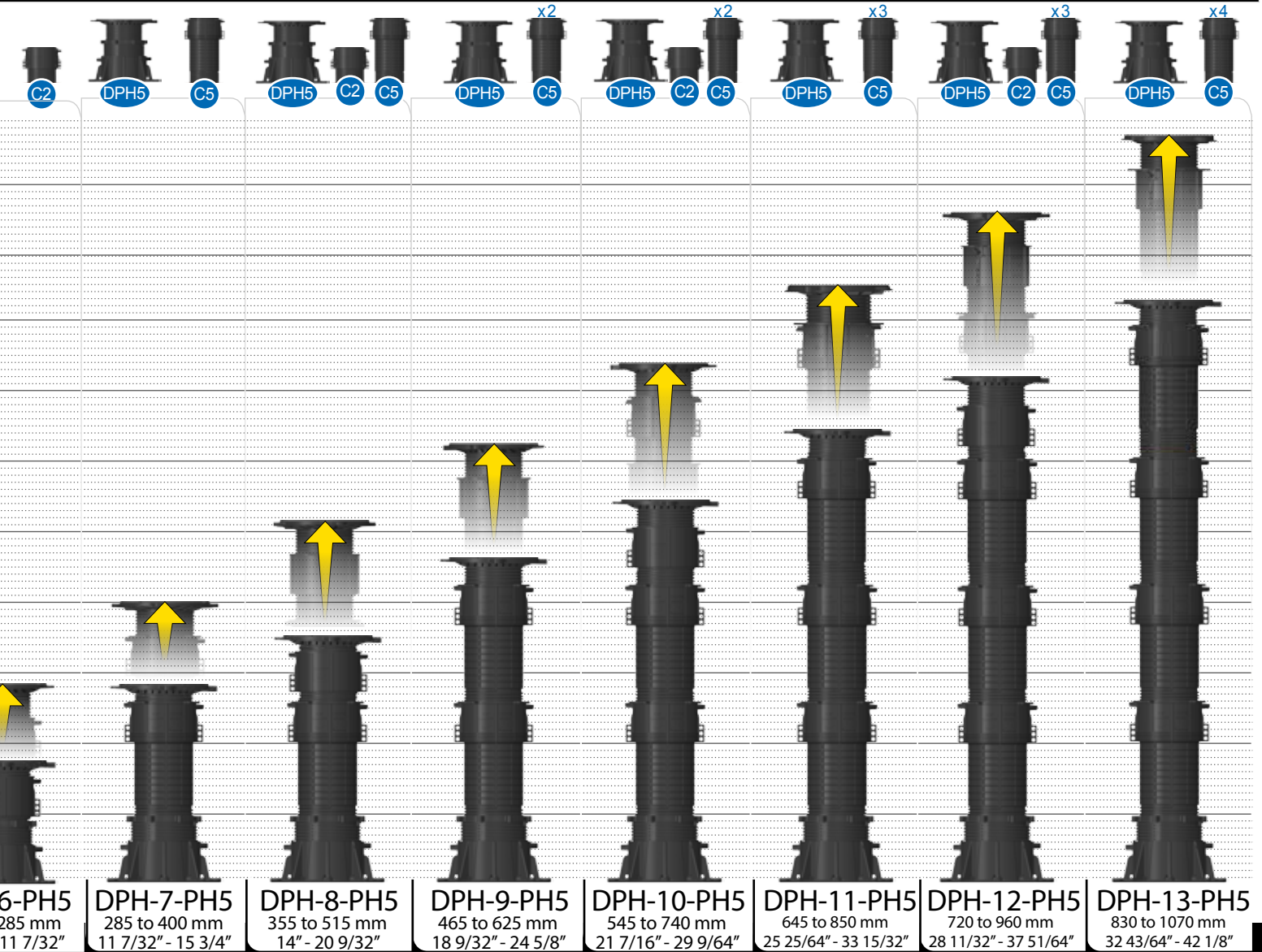


04365-1351
Made From Minimum 50% Recycled Content



*Test available on request.

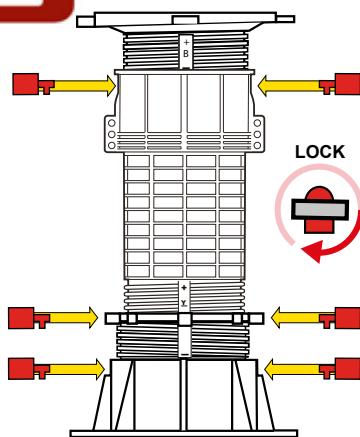
Extension with C2 and C5 Coupler for heights from 175 mm to over 1000 mm (6 7/8" to 42 1/8")



Locking keys



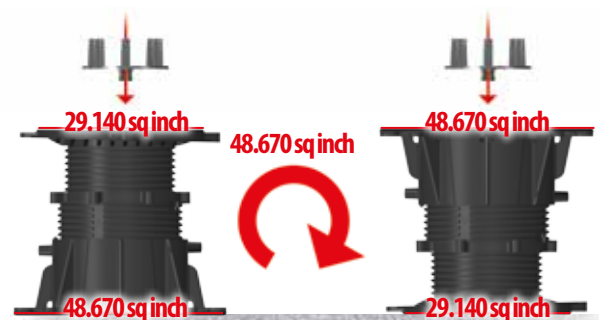
Security and Stability
at all heights over 100 mm



Reversibility

The pedestals DPH-2-PH5 to DPH-13-PH5 can be switched upside down when needed, if the application requires a larger surface for better support.

Ex. at vertical upstands and corners, and use with small cut tiles.



each pedestal for use

used where needed, to
fillances in thicknesses of





MARINA BAYS SANDS INTEGRATED RESORTS, SINGAPORE



SKYPARK



WATERFRONT PROMENADE AREA



WATERFRONT PROMENADE AREA



3 TOWERS HOTEL BALCONIES



SKYPARK



RISE & FUSE OUTDOOR DINING TERRACE



RESORT WORLD SENTOSA, SINGAPORE 5 HOTELS POOL DECK AREAS



UNIVERSAL STUDIOS



WATER FEATURES



WATER FEATURES



WATER FEATURES



NATIONAL INSURANCE COMPANY, GREECE



BURJ KALIFA, DUBAI, U.A.E, WATER FEATURES



TAUNUSTURM, FRANKFURT (GERMANY)



SPETSES ISLAND, ATHENS (GREECE)



ORCHARD RESIDENCES, SINGAPORE



STAM, GENT, BELGIUM

DPH-PC TRANSPARENT PEDESTAL



ST. REGIS HOTEL & RESIDENCES, SINGAPORE



MOSQUE SHEIKH ZAYED BIN SULTAN AL NAHYAN, ABU DHABI, UAE



BAISO-IN TEMPLE, AYOYAMA, TOKYO, JAPAN



MULTI-FUNCTIONAL WATER FEATURE



References

- KLCC Twin Towers Petronas Towers, Kuala Lumpur, Malaysia
- Taipei 101, Taiwan
- Burj Khalifa, Dubai, U.A.E
- Tokyo Skytree, Japan
- Ardmore Residence, Singapore
- EU Parliament Bld & EU Commission Berlaymont Bld, Brussels, Belgium
- Espanade, Theatres on the Bay, Singapore
- Hermes, Ginza, Tokyo, Japan
- Roppongi Hills, Tokyo, Japan
- Shanghai Raffles Square, Shanghai, China
- International Finance Center, Hong Kong
- Yongsan Station, Seoul, South Korea
- Takashimaya Department Store, Tamagawa, Tokyo, Japan
- Marina City, Dubai, UAE
- Bill Clinton Presidential Center, Arkansas, USA
- Codan Shinonome Public Housing Project, Tokyo, Japan
- Wynn Resort & Casino Hotel, Las Vegas, USA
- Supreme Court of Singapore, Singapore
- Maya Hotel, Kuala Lumpur, Malaysia
- One Raffles Quay, Singapore
- Vivo City, Singapore
- Seaview Condominium, Singapore
- Lexus Showrooms, Japan (with PC transparent pedestals)
- D'Leedon, Singapore
- Doha Sports City Tower, Doha, Qatar
- Marina Bay Suites, Singapore
- Acropolis Museum, Athens, Greece
- St Regis Hotel & Residence, Singapore
- Intercontinental Hotel, Hong Kong
- Ardmore Residence, Singapore
- Wafi Hotel, Dubai U.A.E
- Museum of Islamic Art, Doha, Qatar
- W-Hotel, Kowloon, Hong Kong
- European Investment Bank, Luxembourg
- World Trade Center, Beijing, China
- Capella Hotel, Sentosa, Singapore
- Wilkie Edge, Singapore
- Supreme Court of Justice, Luxembourg
- SOTA, School of the Arts, Singapore
- Cocoon Tower, Mode Gakuen University, Tokyo, Japan
- Marina Bay Sands Integrated Resorts, Singapore
- Orchard Residences, Singapore
- Ardmore 2 Condominium, Singapore
- Marina Bay Residences, Singapore
- Resort World, Sentosa Island, 5 hotels & water features, Singapore
- Universal Studio, Singapore
- Mount Elizabeth Novena Hospital, Singapore
- One Shenton, Singapore
- Tokyo International Airport, Haneda, Terminal 2, Japan
- NUS Graduate, Singapore
- Scotts Square, Singapore
- Palace Hotel, Tokyo, Japan
- Goodwood Residence, Singapore
- The Marq, Singapore
- Reflections at Keppel Bay, Singapore



BUZON Pedestal International s.a.
 Z. I. des Hauts-Sarts, Zone 1
 Prolongement de l'Abbaye, 134
 B-4040 Herstal (Belgium – Europe)
 Tel. : +32 (0)4 248 39 83 – Fax : +32 (0)4 264 82 38

info@buzon.eu

www.buzon.eu